

# COMPRAG®

EN

Filtars for compressed air lines

## AF-Series

OPERATION MANUAL

Version 3.0

DE

Druckluftfilter AF-Serie

BEDIENUNGSANLEITUNG

Version 3.0

Seite. 17

RU

Фильтры магистральные сжатого воздуха серии AF

РУКОВОДСТВО ПО ЭКСПЛУАТАЦИИ

Версия 3.0

стр. 33



**© 2015 Comprag ®. All rights reserved.**

**No part of the text and /or diagram may be reprinted or used without the prior written permission of Comprag.**




**The manufacturer reserves the right to make changes to a product design in order to enhance its technological and operational parameters without notifying the user.**

**The product type may considerably differ to that displayed in documents.**


	<b>Contents</b>	<b>3</b>
<b>1</b>	<b>Safety guidelines</b>	<b>4</b>
	1.1 Symbols used in the instructions	4
	1.2 General safety guidelines	4
	1.3 Safety precautions for start-up	5
	1.4 Safety precautions during operation	6
	1.5 Safety precautions for maintenance and repair	7
	1.6 Appropriate use	8
<b>2</b>	<b>Technical data and functional description</b>	<b>9</b>
	2.1 Technical data	9
	2.2 General description	10
	2.3 Function diagram and main components	10
	2.4 Functional description	11
	2.5 Features	11
	2.6 Installation	12
<b>3</b>	<b>Start up</b>	<b>13</b>
	3.1 Safety check	13
	3.2 Dimensions	14
	3.3 Requirements on installation facility	15
	3.4 Connection to the compressed airline	15
<b>4</b>	<b>Maintenance</b>	<b>15</b>
<b>5</b>	<b>Storage conditions</b>	<b>16</b>


# 1. Safety guidelines

## 1.1 Symbols used in the instructions.

	Lethal hazard.
	Warning.
	Attention.

## 1.2 General safety guidelines.

	Carefully familiarise yourself with the technical documentation, operating instructions and safety guidelines. Most accidents associated with the use of compressor equipment occur as a result of non-compliance with safety guidelines. Prevent hazards from developing and adhere to the safety guidelines. The main rules are given in the following section.
---	---

	The user is solely liable for injuries or damages which occur due to non-compliance with safety guidelines during installation, operation or servicing, as well as unauthorised use of equipment!
--	---

1. The operator must stringently adhere to safety guidelines provided for by these instructions and local legislation!
2. When choosing between these safety guidelines and the regulations provided for by local legislation, those rules which provide for more stringent requirements shall apply.
3. Only trained maintenance personnel with the relevant level of professional training are permitted to operate, service and repair Comprag equipment.
4. Compressed air flowing immediately from the compressor may contain oil and impurities and is not suitable for breathing! Compressed air has to be purified to an air purity

grade suitable for breathing, in accordance with the standards prescribed by local legislation.

5. Compressed air is an extremely hazardous energy source. Compressed air must not be used for unintended purposes! Do not use it to clean clothing and footwear and never point compressed air hoses at people and animals! When using air to clean equipment, take extra caution and wear safety goggles!

6. All maintenance, repair, setup and installation work etc. must be performed while the equipment is turned off, disconnected from the power source, with compressed-air hoses disconnected from the equipment, and with the use of safety goggles! Ensure that equipment is disconnected from the compressed air system and is not under pressure.

### 1.3 Safety precautions for start-up



The user is solely liable for injuries or damages which occur due to non-compliance with safety guidelines during installation, operation or servicing, as well as unauthorised use of equipment!

1. Equipment must only be unloaded/loaded using the appropriate handling devices or hoisters. Equipment must not be manually lifted or moved. Do not leave equipment suspended. Use a helmet during unloading operations.

2. Arrange the equipment in a dry and clean facility which provides shelter from precipitation. The facility must be well ventilated, and forced ventilation should be provided if necessary.

3. Worn, damaged or spoiled compressed-air hoses should not be used. Ensure that hoses correspond to the equipment in terms of nominal diameter and working pressure.

4. Explosive and fire-hazardous admixtures such as solvent vapours and carbon dust etc. must not be released into the atmosphere.


5. Ensure unrestricted access to the compressed-air hose from the compressor. Do not clutter it and do not store flammable materials in its immediate vicinity.

6. Do not pinch or deform the compressed-air feed hoses.


7. Do not cover holes used to provide equipment with air for cooling. Ensure the facility is well ventilated

8. When using remote control, the equipment must give a legible and clear warning of this: 'ATTENTION: this machine is being controlled remotely and may start operating without warning!' An operator who is remotely controlling equipment must ensure that no installation or other work is being performed with the equipment at that moment. Once the equipment is turned off remotely, the operator must ensure that the equipment is actually turned off!


9. Equipment must be earthed. Provide short-circuit protection. The starting knife switch must be in the immediate vicinity of the equipment and protect against unauthorised start-up.

	<p>The user bears full responsibility for compliance with the operating conditions of the electrical motor installed in the equipment.</p> <p>Equipment must be used with protection devices.</p> <p>The protection devices must protect the electric motor from short circuits, overloading (systematic and start-up) and open-phase conditions.</p> <p>Installation of protection devices is the responsibility of the user.</p>
---	--

## 1.4 Safety precautions during operation

	<p>The user is solely liable for injuries or damages which occur due to non-compliance with safety guidelines during installation, operation or servicing, as well as unauthorised use of equipment!</p>
---	--

1. Ensure that hoses correspond to the equipment in terms of nominal diameter and working pressure. Check the attachment of every hose coupling before start-up. An insecurely fastened hose may cause serious injury.
2. Never turn on equipment if you suspect the presence of highly flammable impurities in the air!
3. The operator remotely controlling equipment must ensure that no installation or other work is being performed with the equipment at that moment! An information plate must be affixed to the equipment in relation to this: 'ATTENTION: this machine is being controlled remotely and may start operating without warning!'
4. An operator is not allowed to operate equipment if the operator is fatigued, in a state of intoxication from alcohol, drugs or medicine that reduces the body's reaction time.
5. The equipment must not be operated if parts of the casing have been removed. Doors or panels may be opened for short durations for inspection and scheduled checks. It is advisable to wear hearing protection.

	<p>In some types of equipment, open doors or removal of panels during operation may lead to overheating.</p>
---	--

6. Personnel in conditions or a facility where the sound pressure level reaches or exceeds 90 dB (A), must wear ear protectors.

7. If the air used for cooling equipment is used while the facility is being heated, undertake measures for it to be filtered so that it is suitable for breathing.

8. Regularly check that:

- safety devices and attachments are in place;
- all hoses and pipes are in good condition and sealed;
- there are no leaks;
- brackets and structural components are tightened;
- all electrical cables and contacts are in good condition and safe to use;
- safety devices are fully functional and there is no contamination etc;
- all structural components are in working order, with no signs of wear and tear.

## 1.5 Safety precautions for maintenance and repair



The user is solely liable for injuries or damages which occur due to non-compliance with safety guidelines during installation, operation or servicing, as well as unauthorised use of equipment!

1. Only original spare parts and ancillary items may be used. Using spare parts from other manufactures may lead to unpredictable results and consequently accidents.

2. When performing installation and repair work, always wear goggles!

3. Before connecting or disconnecting equipment, disconnect it from the main pneumatic system. Ensure that the hoses aren't under pressure!

4. Before beginning installation or other work, ensure that equipment is not pressurised. Installation work must not be carried out on equipment under pressure.

5. All maintenance work should be carried out only when the temperature of all structural elements falls to room temperature.

6. Never use highly flammable solvents or carbon tetrachloride for cleaning structural elements. When wiping, take precautions against the poisonous vapours of cleaning fluids.

7. Maintain cleanliness in the facility where the equipment is installed. Close open inlets and outlets during installation with dry clothes or paper to prevent rubbish entering the equipment.

8. Welding or other similar operations must not be carried out in the immediate vicinity of the equipment and vessels under pressure.

9. If there is any suspicion of overheating, combustion or other emergency, turn off the equipment. Immediately disconnect it from the power supply. Do not open the doors of equipment until the temperature falls to room temperature, in order to prevent burns or injury.

10. Naked flames must not be used as a light source for inspecting and checking equipment.

11. Never use caustic solvents, which may damage materials of the pneumatic system.

12. After performing installation or other work, ensure that no instruments, rags or spare parts have been left inside the equipment.

13. When replacing filters, separators etc., wipe away dust, dirt and oil residue from the area where they are installed with a dry cloth.

14. Protect the motor, air filter, electrical components and control components etc. from coming into contact with condensate. For instance, blow down with dry air.

15. Use protective gloves during installation and repair work in order to avoid burns and injury (for instance, during oil change).

## 1.6 Appropriate use

CF filter housings have been developed for high efficient removal of solid particles, water, oil aerosols, hydrocarbons and odour vapours from compressed air systems. This appliance must be used only for the purpose for which it was specifically designed. All other uses are to be considered incorrect.



Filters are not intended for human breathing without proper additional equipment.

Filter can only be used for fluids according to Group 2, PED 97/23



Internal corrosion can seriously reduce the safety of installation: check it during changing the cartridge.

The manufacturer cannot be held responsible for any damage resulting from improper, incorrect or unreasonable use.

Use genuine spare parts only. Any damage or malfunction caused by the use of unguenuine parts is not covered by Warranty or Product Liability.



## 2. Technical data and functional description



Entitlement to free handling of faults arising during the guarantee period is forfeited when:

- No warranty service coupon for the compressor or it is filled out incorrectly
- No records for the compressor's scheduled maintenance are entered in the compressor's service book
- Unoriginal parts and lubricants are used

### 2.1 Technical data

Max. operating pressure: 16 bar

Max. operating temperature: 65 °C

Min. operating temperature: 2 °C

Article	Model	Thread connection	Max. Air flow	Dimensions, mm				Weight, kg
				A	B	C	D	
14200001	AF-012	3/8"	1,2	187	88	20	80	0,86
14200002	AF-016	1/2"	1,6	256	88	20	80	0,96
14200003	AF-025	1/2"	2,6	278	106	25	100	1,46
14200004	AF-036	3/4"	3,6	278	106	25	100	1,46
14200005	AF-047	1"	4,7	252	125	32	120	2,26
14200006	AF-060	1"	6,0	352	125	32	140	2,56
14200007	AF-072	1.1/4"	7,2	352	125	32	140	2,56
14200008	AF-085	1.1/2"	8,5	450	125	32	160	3,36
14200009	AF-125	1.1/2"	12,5	450	125	32	160	3,36
14200010	AF-148	2"	14,8	605	160	43	180	5,26
14200011	AF-196	2"	19,6	605	160	43	180	5,26
14200012	AF-240	2.1/2"	24,0	685	160	43	200	6,46
14200013	AF-328	3"	32,8	800	240	60	300	13,06
14200014	AF-460	3"	46,0	800	240	60	300	13,06

Tab. 1 Technical data filter housings

Filter elements for AF-series  
Specification of filter elements

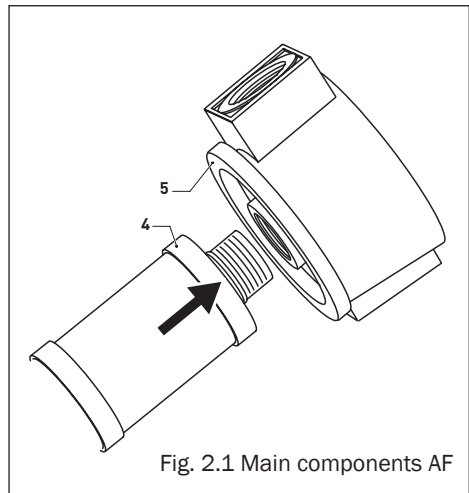
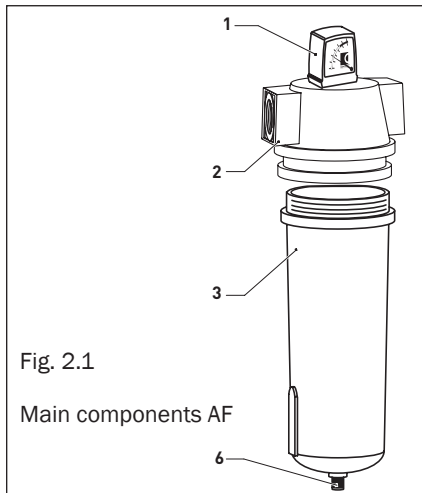
	Coarse Filtration	Fine Filtration	Micro Filtration	Oil Removal	Active Carbon
Filtration grade	P	R	M	S	A
Particle retention size, $\mu\text{m}$	3	1	0,1	0,01	0,005
Max. residual oil content, mg/ $\text{m}^3$	-	-	<0,1	<0,01	<0,005
Max. operating temperature, $^{\circ}\text{C}$	65	65	65	65	45
Pressure loss of new filter element, mbar	10	20	50	80	60
Max. permissible pressure loss, mbar	350	350	350	350	6 months
Colour of filter element	yellow	blue	green	red	gray

Tab. 2 Technical data filter elements

## 2.2 General description

AF series Air Filters are a reliable and cost effective method for the preparation of compressed air.

## 2.3 Function diagram and main components



1	Differential manometer
2	Filter head
3	Filter bowl
4	Filter element
5	O-ring (sealing)
6	Condensate drain

Tab. 2 Main components AF

## 2.4 Functional description

Air systems are contaminated with abrasive solid particles (dust) or compressor lubricants (oil). If not removed, these contaminants increase pneumatic equipment maintenance costs, lead to instrument and control failure, contribute to poor product fit and finish and contaminate processes. Comprag filter will remove these contaminants allowing your compressed air system to deliver the quality of air required by your application.

AF series filters can be combined together with RDX refrigerant dryers, ADX adsorption dryers and AS separators.

The filter combination determines the quality of compressed air in the system. AF series filters provide a wide range of filtration levels for any field of application: from utility air to the pharmaceutical and food industries.

## 2.5 Features:

- Filter elements are manufactured using high quality materials from leading suppliers;
- Wide range of degrees of purification for all applications;
- Connections in a wide range of sizes from 3/8" to 3";
- Differential manometer to monitor the condition of the filter element;
- Automatic condensate drain;
- High filtration level with minimal pressure loss;
- Top-quality filtering medium;
- Outer foam rubber layer for absorbing condensate;
- Reliable thread connection with filter body;
- Air-tight gasket connections;
- Full degree of filtration, starting from 5% of nominal pressure;

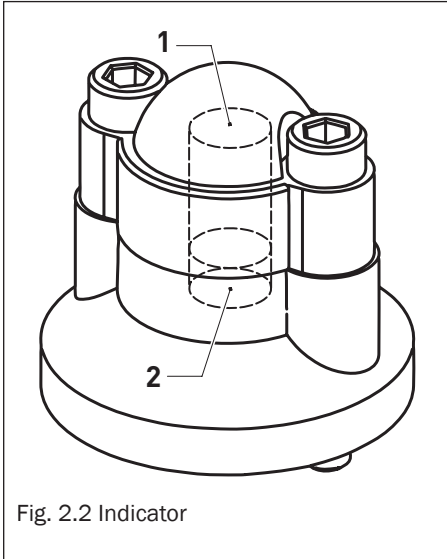


Fig. 2.2 Indicator

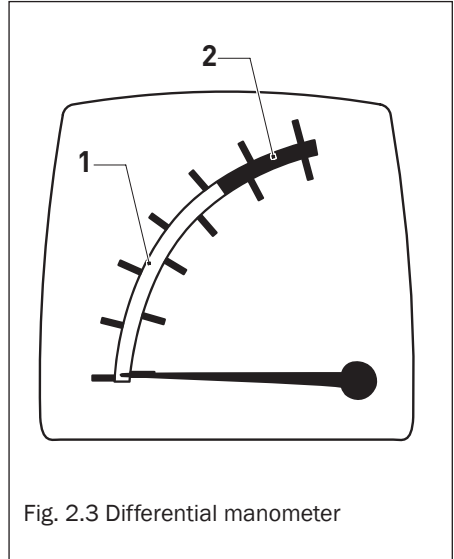


Fig. 2.3 Differential manometer

Fig.2.2: Change the Filter element, when the green display area has almost turned red.

Fig.2.3: Change the Filter element, when the needle changes from the bright ( 1.) area into the dark (2.) area

## 2.6 Installation

Operations should be performed only by qualified personnel. Never operate with installation under pressure. The user is responsible to ensure that the filter will never operate at pressure exceeding the nominal values. Eventual over-pressure could be dangerous and hazardous to the operator and the equipment.

The filter assembly and installation procedures are as follows:



- If provided, install the pressure drop indicator or the Differential Pressure Gauge (optional) on the filter head;
- Connect the filter head to the compressed air piping and check that the airflow corresponds to the direction of the arrow positioned on the filter head cap;
- Clean accurately the piping and the filter head outlets, remove any shaving, slaver or scrap from tooling;
- Lubricate the O-ring and the sealing surfaces of the filter head and cartridge, use multipurpose grease (SILICONE FREE);
- Fit the filter cartridge on the filter head by screwing it in the housing. Tightness is

ensured by one o-ring;

- Fit the filter bowl and tight it accurately;
- Filters must always be installed in a vertical position with sufficient space around. The minimum distance (D in the technical data table) has to be assured under the filter bowl, which is necessary for filter cartridge changing;
- Stick the adhesive label showing the month and year for the next filtering element change (max. one year) on the filter bowl;
- Slowly pressurize the installation and check it for air leakage;

## 3. Start up

### 3.1 Safety check

	<p>Check that the operating data (pressure, temperature and flowrate) do not exceed values on the specification plate.</p>
	<p>At least once a week check if condensate drain operates regularly. At least once a week check if pressure drop indicator or differential manometer is in the green area.</p>

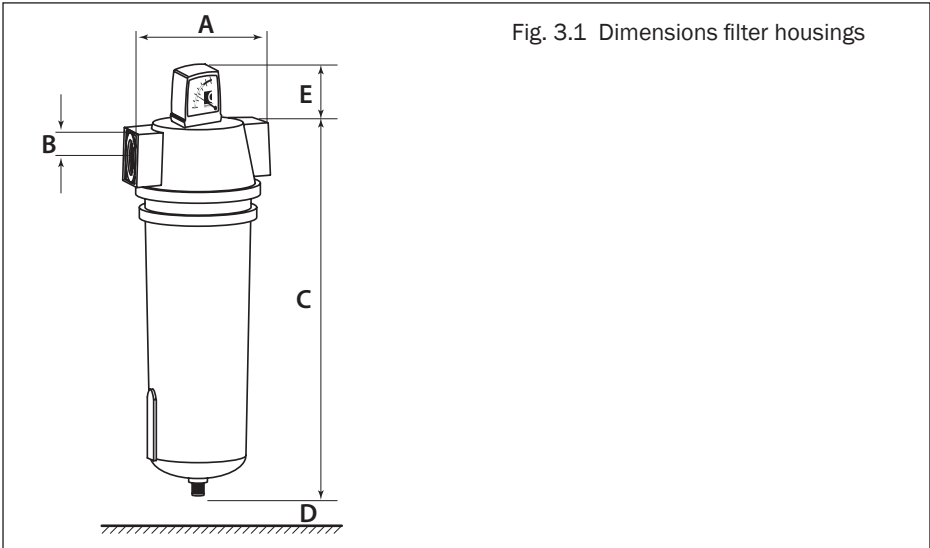
If a filter grade A is installed, check the good efficiency of the pre-filters, otherwise the presence of any oil and water aerosols make the absorption power of the filter void.

#### Operating pressure correction

The above table is designed based on the performance of the filters at 7 bar working pressure. To calculate the performance of the filter with a different operating pressure, please use the following correcting coefficients:

Operating pressure, bar	2	3	4	5	6	7	8	9	10	11	12	13	14	15	16
Correction coefficient	0,38	0,5	0,63	0,75	0,88	1	1,13	1,25	1,38	1,50	1,63	1,75	1,88	2,00	2,13

### 3.2 Dimensions




Article	Model	Thread connection	Max. Air flow	Dimensions, mm					Weight, kg
				A	B	C	D	E	
14200001	AF-012	3/8"	1,2	88	20	187	80	35	0,86
14200002	AF-016	1/2"	1,6	88	20	256	80	35	0,96
14200003	AF-025	1/2"	2,5	106	25	278	100	35	1,46
14200004	AF-036	3/4"	3,6	106	25	278	100	65	1,46
14200005	AF-047	1"	4,7	125	32	252	120	65	2,26
14200006	AF-060	1"	6,0	125	32	352	140	65	2,56
14200007	AF-072	1.1/4"	7,2	125	32	352	140	65	2,56
14200008	AF-085	1.1/2"	8,5	125	32	450	160	65	3,36
14200009	AF-125	1.1/2"	12,5	160	32	450	160	65	3,36

14200010	AF-148	2"	14,8	160	43	605	180	65	5,26
14200011	AF-196	2"	19,6	160	43	605	180	65	5,26
14200012	AF-240	2.1/2"	24,0	160	43	685	200	65	6,46
14200013	AF-328	3"	32,8	240	60	800	300	65	13,06
14200014	AF-460	3"	46,0	240	60	800	300	65	13,06

Tab. 1 Dimensions filter housings

### 3.3 Requirements on installation facility

	<p>Install the filter in a facility where precipitation cannot reach. Choose a facility for installing the filter with a minimum level of dust.</p>
---	---

### 3.4 Connection to the compressed airline

Provide the throughput capacity of the compressed-air line is approved for the filter you bought.

All components of the compressed-air line must have a working pressure no less than the compressor's nominal pressure.

Use a pressure vessel with a capacity corresponding to the compressor's performance and the compressed air consumer.

## 4. Maintenance

Filter elements are subject to wear. In order to maintain system efficiency, optimal performance and best air quality, these rules of proper maintenance should be followed:

- Replace filter elements P, R, M, S at least once per year or when pressure drop reaches 350mbar;
- A filter element must be changed after 6 months;

- B filter element can be cleaned with ultrasonic bath or with back flushing. Intervals of cleaning depend on application. If necessary replace filter element with new one;
- The housing O-ring can be damaged during filter element change. To prevent air leakage and malfunction replace housing O-ring if necessary;
- Damaged components are to be replaced by new ones. If a marked degree of damage is found, the entire filter is to be replaced;
- Filter housings has been designed for a life of 10 years in normal operating environment. After 10 years periodical checks of filter housing integrity are strongly recommended for safe operation;
- Carry out a check for leaks once the maintenance work has been finished;

## **5. Storage Conditions**




The Air filters should be stored at a dry place with moderate climate.




	<b>Inhalt</b>	<b>17</b>
<b>1</b>	<b>Safety guidelines</b>	<b>18</b>
	1.1 Symbols used in the instructions	18
	1.2 General safety guidelines	18
	1.3 Safety precautions for start-up	19
	1.4 Safety precautions during operation	20
	1.5 Safety precautions for maintenance and repair	21
<b>2</b>	<b>Technical data and functional description</b>	<b>24</b>
	2.1 Technical data	24
	2.2 General description	25
	2.3 Function diagram and main components	25
	2.4 Functional description	26
	2.5 Features	26
	2.6 Installation	27
<b>3</b>	<b>Start up</b>	<b>28</b>
	3.1 Safety check	28
	3.2 Dimensions	29
	3.3 Requirements on installation facility	30
	3.4 Connection to the compressed airline	30
<b>4</b>	<b>Maintenance</b>	<b>30</b>
<b>5</b>	<b>Storage conditions</b>	<b>31</b>


# 1. Sicherheitsrichtlinien

## 1.1 Verwendete Symbole

	Warnung.
	Achtung.
	Hinweis.

## 1.2 Allgemeine Sicherheitsrichtlinien.

	Machen Sie sich sorgfältig mit den technischen Dokumenten, Betriebsanleitungen und Sicherheitsrichtlinien vertraut. Ein Großteil der Unfälle im Umgang mit Kompressoranlagen ist auf Nichteinhaltung von Sicherheitsrichtlinien zurückzuführen. Vermeiden Sie unnötige Risiken und halten Sie sich an die Sicherheitsrichtlinien. Die wichtigsten Regeln sind im Folgenden beschrieben.
---	---

	Der Benutzer trägt die volle Verantwortung für Verletzungen oder Schäden, die während der Montage, des Betriebs, der Wartung sowie aufgrund von unberechtigter Nutzung der Anlage auftreten.
--	--

1. Der Betreiber hat die in diesen Anweisungen sowie in den geltenden gesetzlichen Vorschriften enthaltenen Sicherheitsrichtlinien genauestens einzuhalten
2. Bei Überschneidungen der Sicherheitsrichtlinien mit der örtlichen Gesetzgebung gelten stets die strengeren Vorschriften.
3. Nur Wartungspersonal mit entsprechender Berufsausbildung ist es gestattet, Compaq-Anlagen zu bedienen, zu warten und zu reparieren.
4. Druckluft, die direkt vom Kompressor kommt, kann Öl und Verunreinigungen enthalten und ist nicht als Atemluft geeignet! Druckluft muss in Übereinstimmung mit den geltenden

gesetzlichen Vorschriften auf einen zur Atmung geeigneten Luftreinheitsgrad gebracht werden.

5. Druckluft ist ein äußerst gefährliches Medium. Druckluft darf niemals unsachgemäß verwendet werden! Verwenden Sie niemals Druckluft, um Kleidung oder Schuhe zu reinigen und zielen Sie mit Druckluftschläuchen niemals auf Menschen oder Tiere! Bei der Reinigung von Geräten mit Druckluft ist äußerste Vorsicht geboten. Tragen Sie dabei immer eine Schutzbrille!

6. Wartungs-, Reparatur-, Aufbau-, und Montagearbeiten dürfen nur durchgeführt werden, wenn das Gerät ausgeschaltet ist, von der Stromquelle getrennt ist, die Druckluftschläuche vom Gerät getrennt sind und beteiligte Personen Schutzbrillen tragen. Stellen Sie sicher, dass die Anlage vom Druckluftsystem getrennt ist und nicht unter Druck steht.

## 1.3 Sicherheitshinweise für die Inbetriebnahme



Der Benutzer trägt die volle Verantwortung für Verletzungen oder Schäden, die während der Montage, des Betriebs, der Wartung sowie aufgrund von unberechtigter Nutzung der Anlage auftreten.

1. Anlagen dürfen ausschließlich mit entsprechenden Handhabungsgeräten oder Kränen auf-/abgeladen werden. Anlagen dürfen nicht von Hand angehoben oder bewegt werden. Anlagen niemals an Hebezeugen o. Ä. hängen lassen. Beim Abladen immer einen Helm tragen.

2. Stellen Sie die Anlagen in einem trockenen und sauberen Gebäude auf, wo sie vor Niederschlag geschützt sind. Das Gebäude muss ausreichend und bei Bedarf durch Fremdbelüftung belüftet sein.

3. Abgenutzte, beschädigte oder defekte Druckluftschläuche dürfen nicht verwendet werden. Stellen Sie sicher, dass die verwendeten Schläuche hinsichtlich Durchmesser und Betriebsdruck für die jeweiligen Geräte geeignet sind.

4. Sind in einem System mehrere Kompressorstationen vorhanden, benötigt jeder Kompressor ein von Hand betätigtes Ventil zum Abschalten der einzelnen Kompressoren für Notfälle.

5. Explosive und leicht entzündliche Substanzen wie Lösungsmitteldämpfe, Kohlenstaub etc. dürfen keinesfalls in die Atmosphäre freigesetzt werden.

6. Sorgen Sie für ungehinderten Zugang zum Druckluftschlauch vom Kompressor. Der Schlauch sollte nicht verdeckt sein und es dürfen keine brennbaren Materialien in unmittelbarer Nähe gelagert werden.

7. Druckluftschläuche dürfen nicht gequetscht oder verformt werden.

8. Lüftungsöffnungen von Anlagen dürfen nicht abgedeckt werden. Achten Sie darauf, dass das Gebäude gut belüftet ist.

9. Bei Verwendung einer Fernsteuerung muss folgende Warnung gut sichtbar und lesbar am Gerät vorhanden sein: „**ACHTUNG:** Diese Maschine ist ferngesteuert und kann ohne Vorwarnung anlaufen!“ Ein Bediener, der das Gerät fernsteuert, muss sicherstellen, dass zu dem Zeitpunkt keine Montage- oder anderen Arbeiten an der Anlage durchgeführt werden. Wurde das Gerät per Fernsteuerung abgeschaltet, muss der Bediener sicherstellen, dass das Gerät auch tatsächlich ausgeschaltet ist!

10. Anlagen müssen geerdet sein. Kurzschlusschutzvorrichtungen müssen vorhanden sein. Der Not-Aus-Taster muss sich in unmittelbarer Nähe des Geräts befinden und gegen unberechtigte Inbetriebnahme schützen.



Der Benutzer trägt die volle Verantwortung für den ordnungsgemäßen Betrieb des in der Anlage vorhandenen Elektromotors. Anlagen sind nur mit entsprechenden Schutzvorrichtungen zu betreiben. Die Schutzvorrichtungen müssen den Elektromotor vor Kurzschlüssen, Überlast (systematisch und bei der Inbetriebnahme) und Phasenausfall schützen. Die Montage von Schutzvorrichtungen liegt in der Verantwortung des Benutzers.

11. Sämtliche Tanks und Behälter, die unter Druck stehen, müssen mit Sicherheitsventilen ausgestattet sein! Die unerlaubte Montage, Demontage oder Verstellung der vorhandenen Sicherheitsventile ist nicht gestattet.

## 1.4 Sicherheitshinweise für den Betrieb



Der Benutzer trägt die volle Verantwortung für Verletzungen oder Schäden, die während der Montage, des Betriebs, der Wartung sowie aufgrund von unberechtigter Nutzung der Anlage auftreten.

1. Stellen Sie sicher, dass die verwendeten Schläuche hinsichtlich Durchmesser und Betriebsdruck für die jeweiligen Geräte geeignet sind. Überprüfen Sie die einzelnen Schlauchanschlüsse vor der Inbetriebnahme auf festen Sitz. Eine lose Schlauchverbindung kann schwere Verletzungen verursachen.

2. Anlagen niemals einschalten, wenn leicht entzündliche Luftverunreinigungen vermutet werden.

3. Die Anlage darf keinesfalls bei Müdigkeit sowie nach dem Konsum von Alkohol, Drogen oder Medikamenten bedient werden, da die Reaktionszeit reduziert werden kann.

4. Das Gerät darf nicht betrieben werden, wenn Teile des Gehäuses entfernt wurden. Türen oder Abdeckungen dürfen zu Prüfzwecken und für geplante Kontrollen kurzzeitig geöffnet werden. Gehörschutz wird dringend empfohlen.



Bei manchen Geräten können offene Türen oder fehlende Abdeckungen während des Betriebs zu Überhitzung führen.

5. Wird beim Heizen des Gebäudes Druckluft zur Anlagenkühlung verwendet, muss die Luft gefiltert werden, damit sie zum Atmen geeignet ist.

6. Folgende Punkte sind regelmäßig zu kontrollieren:

- Vorhandensein von Sicherheitsvorrichtungen;
- Zustand und Dichtigkeit sämtlicher Schläuche und Rohrleitungen;
- Lecks;
- Festigkeit von Halterungen und Strukturbauteilen;
- Zustand und Sicherheit der elektrischen Leitungen und Kontakte;
- Funktionstüchtigkeit und Sauberkeit von Sicherheitsvorrichtungen;
- Funktionstüchtigkeit von Strukturbauteilen und Anzeichen von Verschleiß;

## 1.5 Sicherheitshinweise für die Wartung und Reparatur



Der Benutzer trägt die volle Verantwortung für Verletzungen oder Schäden, die während der Montage, des Betriebs, der Wartung sowie aufgrund von unberechtigter Nutzung der Anlage auftreten.

1. Es sind ausschließlich original Ersatz- und Austauschteile zugelassen. Die Verwendung von Ersatzteilen anderer Hersteller kann zu unvorhersehbaren Ergebnissen und somit zu Unfällen führen.

2. Bei Montage- und Reparaturarbeiten ist stets eine Schutzbrille zu tragen!

3. Vor dem Anschließen oder Trennen von Geräten sind diese vom Hauptdruckluftsystem zu trennen. Stellen Sie sicher, dass die Schläuche nicht unter Druck stehen!

4. Vor Beginn von Montagearbeiten oder sonstigen Arbeiten muss sichergestellt werden, dass die Anlage nicht unter Druck steht. Es dürfen niemals Montagearbeiten an Anlagen, die unter Druck stehen, durchgeführt werden.

5. Sämtliche Wartungsarbeiten dürfen erst ausgeführt werden, wenn die Bauteile auf Raumtemperatur abgekühlt sind.

6. Verwenden Sie niemals leicht entzündliche Lösungsmittel oder Tetrachlormethan zur Reinigung von Strukturbauteilen. Treffen Sie entsprechende Vorkehrungen gegen giftige Dämpfe von Reinigungsmitteln.

7. Während Montage- und Reparaturarbeiten sollte ein Hinweisschild am Bedienfeld angebracht sein, das vor unbefugtem Einschalten warnt. Beispiel: „Nicht einschalten. Gefahr für Bedienpersonal!“

8. Der Bediener, der das Gerät fernsteuert, muss sicherstellen, dass zu dem Zeitpunkt keine Montage- oder anderen Arbeiten an der Anlage durchgeführt werden. Folgender Warnhinweis muss gut sichtbar am Gerät angebracht sein: Siehe 1.3.9.

9. Halten Sie das Gebäude, in dem das Gerät steht, sauber. Schließen Sie offene Zu- und Abläufe während der Montage mit trockenen Lappen oder Papier, um zu verhindern, dass Schmutz in die Anlage gelangt.

10. Schweißarbeiten oder ähnliche Arbeiten dürfen nicht in unmittelbarer Nähe von Anlagen und Behältern, die unter Druck stehen, durchgeführt werden.

11. Schalten Sie die Anlage bei Verdacht auf Überhitzung, Entzündung sowie in anderen Notsituationen umgehend aus. Schalten Sie die Anlage sofort stromlos. Öffnen Sie Türen der Anlage erst, wenn sie sich auf Raumtemperatur abgekühlt hat, um Verbrennungen oder Verletzungen zu vermeiden.

12. Offene Flammen dürfen nicht als Lichtquelle für Inspektionen und Kontrollen der Anlage genutzt werden.

13. Verwenden Sie niemals ätzende Lösungsmittel, die Materialien im Druckluftsystem beschädigen könnten.

14. Stellen Sie nach Montagearbeiten oder anderen Arbeiten sicher, dass keine Werkzeuge, Lappen oder Ersatzteile im Gerät zurückgelassen wurden.

15. Achten Sie besonders auf die Sicherheitsventile. Kontrollieren Sie sie gründlich und entfernen Sie Staub und Schmutz. Ihre Funktion darf unter keinen Umständen beeinträchtigt sein. Denken Sie immer daran, dass Ihre Sicherheit von ihrer Funktionstüchtigkeit abhängt!

16. Stellen Sie nach Wartungs- oder Reparaturarbeiten und vor Beginn des Betriebs im normalen Modus sicher, dass der Betriebsdruck, die Temperatur und andere Werte richtig eingestellt sind. Stellen Sie sicher, dass alle Steuergeräte installiert sind und einwandfrei funktionieren.

17. Wischen Sie beim Wechsel von Filtern, Abscheidern usw. Staub-, Schmutz- und Ölablagerungen an der jeweiligen Stelle mit einem trockenen Tuch ab.

18. Schützen Sie Motor, Luftfilter, elektrische Komponenten, Steuerkomponenten usw. vor Kontakt mit dem Kondensat. Blasen Sie sie zum Beispiel mit trockener Luft ab.

19. Sicherheitshinweise für den Umgang mit Kältemittel:

- Niemals Kältemitteldämpfe einatmen. Stellen Sie sicher, dass der Arbeitsbereich gut belüftet ist. Bei Bedarf Atemschutz tragen.

- Tragen Sie immer Spezialhandschuhe. Wenn Kältemittel mit der Haut in Kontakt kommt, spülen Sie die betroffene Stelle mit reichlich Wasser ab. Wenn Kältemittel durch Kleidung hindurch mit der Haut in Kontakt kommt, versuchen Sie nicht, die Kleidung zu entfernen. Spülen Sie die Kleidung stattdessen gründlich mit klarem Wasser aus, bis das Kühlmittel ausgewaschen wurde. Suchen Sie anschließend einen Arzt auf.

20. Tragen Sie bei Montage- und Reparaturarbeiten (wie z. B. bei einem Ölwechsel) Schutzhandschuhe, um Verbrennungen und Verletzungen zu vermeiden.



Der Filter ist ohne entsprechende Zusatzausrüstung nicht als Atemschutz vorgesehen.

Der Filter darf nur für Fluide der Gruppe 2 DGRL 97/23/EG verwendet werden.



Überprüfen Sie das Innere der Anlage beim Wechseln des Filterelements auf Korrosion.

Der Hersteller kann nicht für Schäden zur Verantwortung gezogen werden, die durch unsachgemäßen, falschen oder vernunftlosen Gebrauch entstanden sind.

Nur Original-Ersatzteile verwenden. Schäden oder Funktionsstörungen, die durch den Einsatz von Nicht-Originalteilen entstehen, sind von jeglichen Gewährleistungs- und/oder Haftungsansprüchen ausgeschlossen.

## 2. Technische Daten und Funktionsbeschreibung



Die Garantie erlischt in folgenden Fällen.

- Es existiert kein Serviceheft für den Kompressor, oder wurde falsch ausgefüllt.
- Die Wartungsarbeiten wurden nicht in das Serviceheft eingetragen.
- Es wurden keine Originalteile verwendet.

### 2.1 Technische Daten

Max. Betriebsdruck: 16 bar

Max. Betriebstemperatur: 65 °C

Min. Betriebstemperatur: 2 °C

Tabelle der Modelle Filtergehäuse (ohne Filterelemente)

Artikel	Modell	Schraubverbindung	Max. Luftdurchsatz (m <sup>3</sup> /min)	Abmessungen (mm)				Gewicht (kg)
				A	B	C	D	
14200001	AF-012	3/8"	1,2	187	88	20	80	0,86
14200002	AF-016	1/2"	1,6	256	88	20	80	0,96
14200003	AF-025	1/2"	2,6	278	106	25	100	1,46
14200004	AF-036	3/4"	3,6	278	106	25	100	1,46
14200005	AF-047	1"	4,7	252	125	32	120	2,26
14200006	AF-060	1"	6,0	352	125	32	140	2,56
14200007	AF-072	1.1/4"	7,2	352	125	32	140	2,56
14200008	AF-085	1.1/2"	8,5	450	125	32	160	3,36
14200009	AF-125	1.1/2"	12,5	450	125	32	160	3,36
14200010	AF-148	2"	14,8	605	160	43	180	5,26
14200011	AF-196	2"	19,6	605	160	43	180	5,26
14200012	AF-240	2.1/2"	24,0	685	160	43	200	6,46
14200013	AF-328	3"	32,8	800	240	60	300	13,06
14200014	AF-460	3"	46,0	800	240	60	300	13,06

Tab. 1 Technische Daten Filtergehäuse



Filterelemente für AF-Serie  
Varianten der Filterelemente

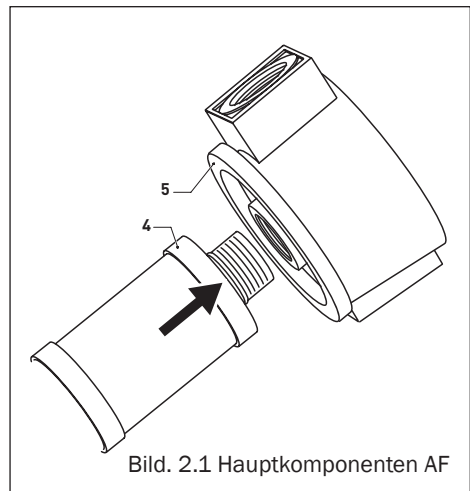
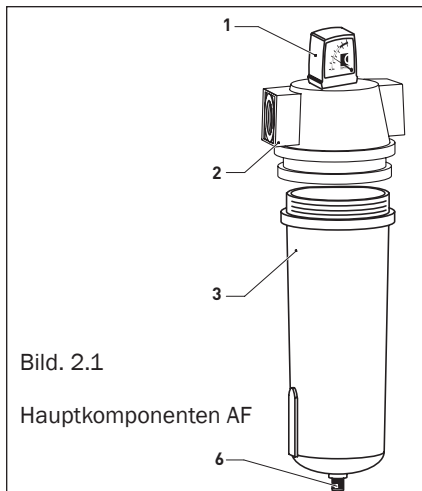
	Grobfiltration	Feinfiltration	Mikrofiltration	Ölabscheidung	Aktivkohle
Filtrationsgrade	P	R	M	S	A
Filtrationsgrad Restpartikelgröße, µm	3	1	0,1	0,01	0,005
Restölgehalt, mg/m <sup>3</sup>	-	-	<0,1	<0,01	<0,005
Max. Betriebstemperatur, °C	65	65	65	65	45
Druckverlust bei neuem Filterelement, mbar	10	20	50	80	60
Max. zugelassener Druckverlust, mbar	350	350	350	350	6 months
Farbe Filterelement	gelb	blau	grün	rot	grau

Tab. 2 Technische Daten Filterelemente

## 2.2 Allgemeine Beschreibung

Druckluftfilter der AF-Serie bieten eine zuverlässige und kostengünstige Lösung für die Druckluftaufbereitung

## 2.3 Funktionsschaubild und Hauptkomponenten



1	Differentialdruckmanometer bzw. Indikator
2	Filterkopf
3	Filtergehäuse
4	Filterelement
5	Gehäusedichtung (O-ring)
6	Ablassventil

Tab. 2 Hauptkomponenten AF

## 2.4 Funktionsbeschreibung

Druckluftsysteme sind mit abrasiven Partikeln (Staub) oder Kompressorschmiermitteln (Ölen) kontaminiert, wenn sie nicht beseitigt werden. Diese Kontaminierungen lassen die Instandhaltungskosten für Druckluftequipment ansteigen, führen zu Fehlfunktionen der Steuerung, beeinflussen die Passgenauigkeit der Anschlussübergänge der einzelnen Komponenten und können zum vorzeitigen Prozessabbruch führen. Comprag Filter beseitigen alle Verunreinigungen und lassen Ihre Anlagen mit der nötigen Druckluftqualität arbeiten.

AF Serie Filter können mit Kältetrocknern RDX, Adsorptionstrocknern ADX und Separatoren der Serie AS kombiniert werden.

AF Serie Filter bieten eine große Auswahl an Filtrationsgraden für alle Anwendungsbereiche. Wir erreichen Qualitäten für einfache Gebrauchsdruckluft, über Druckluft für Medizin und Pharmaindustrie, bis hin zum Gebrauch für hochsensibele Anwendungen der Nahrungsmittelproduktion.

## 2.5 Eigenschaften

- Breite Palette an Reinigungsgraden für Anwendungen aller Art.
- Große Auswahl von Anschlüssen in Größen von 3/8 bis 3 Zoll.
- Differenzialdruckmanometer oder Indikator für die Zustandsüberwachung des Filterelements.
- Automatischer Kondensatablauf.
- Maximaler Betriebsdruck 16 bar.
- Große Filtrationsleistung bei minimalem Druckverlust.
- Qualitativ hochwertige Filtermedien.

- Hermetisch abgedichtete Verbindungen.
- Betriebstemperaturbereich von 2 °C bis 65 °C.

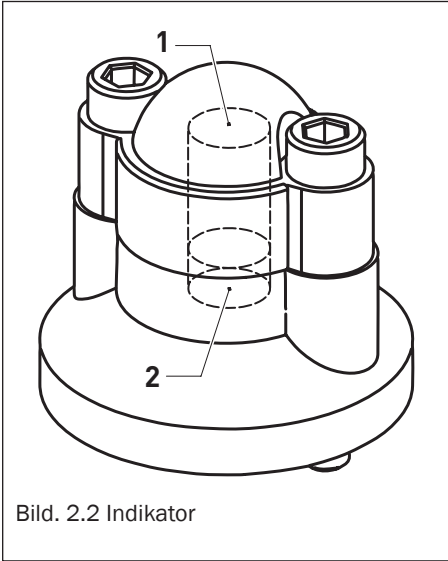


Bild. 2.2 Indikator

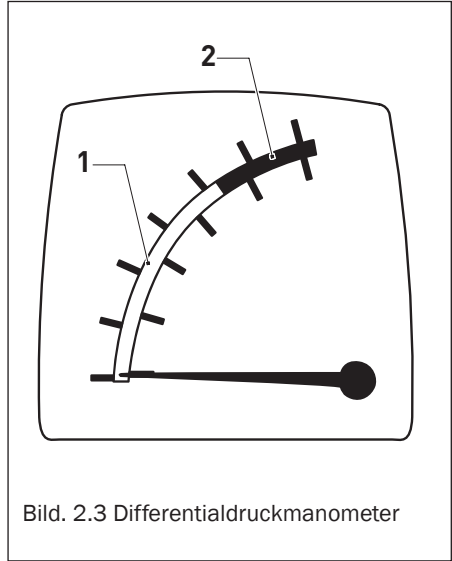


Bild. 2.3 Differentialdruckmanometer

Bild. 2.2: Filterelement austauschen, wenn der Sichtbereich von grün auf rot umschlägt.  
 Bild. 2.3: Filterelement austauschen, wenn die Nadel aus Bereich ( 1.) in Bereich (2.) wechselt

## 2.6 Installation

Installationsarbeiten sind ausschließlich von qualifiziertem Personal durchzuführen. Arbeiten Sie niemals an der Anlage, während diese unter Druck steht. Es liegt in der Verantwortung des Benutzers sicherzustellen, dass die zulässigen Maximaldruckwerte des Filters nicht überschritten werden. Überdruck kann sowohl für den Bediener als auch für die Anlage gefährlich sein.

Montageverfahren für den Filter sind nachfolgend beschrieben:


- Installieren Sie die Druckverlust-Anzeige oder den Differenzdruckmesser (optional), falls vorhanden, am Filterkopf;
- Schließen Sie den Filterkopf an die Druckluftleitung an und stellen Sie sicher, dass die Richtung des Luftstroms mit dem Pfeil auf dem Filterkopf übereinstimmt;
- Reinigen Sie die Rohrleitung und die Filterkopfanschlüsse sorgfältig und entfernen Sie


Späne, Splitter oder Metallreste aus der Produktion;

- Schmieren Sie den O-Ring und die Dichtflächen des Filterkopfes und des Filterelements mit (silikonfreiem) Mehrzweckschmierfett;
- Montieren Sie das Filterelement am Filterkopf, indem sie es anschrauben. Dichtigkeit wird durch einen einzelnen O-Ring gewährleistet;
- Bringen Sie das Filtergehäuse an und ziehen Sie es ordnungsgemäß fest;
- Filter müssen immer senkrecht ausgerichtet sein und mit ausreichend Platz installiert werden. Unter dem Filtergehäuse muss zum Auswechseln des Filterelements ein minimaler Abstand (in der Tabelle in den technischen Daten als D angegeben) vorhanden sein;
- Kleben Sie das Etikett mit Monat und Jahr des nächsten Filterelementwechsels (max. ein Jahr) auf das Filtergehäuse;
- Setzen Sie die Anlage langsam unter Druck und überprüfen Sie sie auf Leckagen.

## 3. Inbetriebnahme

### 3.1 Sicherheitsüberprüfung

	Überprüfen Sie, dass die vorgegebenen Betriebsdaten der Typenschilder eingehalten werden
---	--

	Mindestens einmal pro Woche überprüfen ob das Kondensatablassventil ordnungsgemäß funktioniert.  Mindestens einmal pro Woche überprüfen ob Differentialdruckmanometer und Druckverlustindikator im grünen Arbeitsbereich sind.
--	--

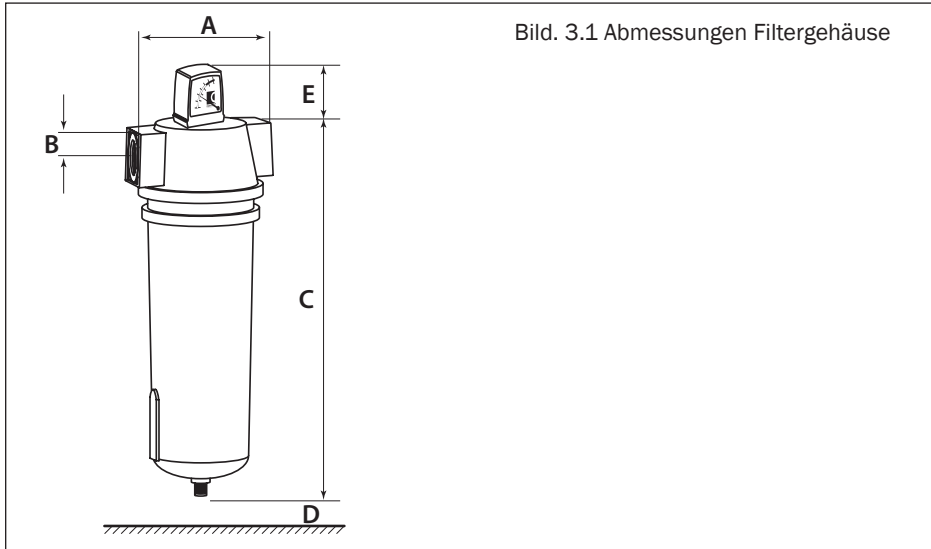
Wenn Sie Filterelement A installiert haben, überprüfen Sie die Funktionalität der Vorfilter. Andernfalls kann Öl oder Wasser die Absorptionsfähigkeit der Filter verschlechtern.

#### Anpassung des Volumenstroms:

Die oben angegebene Tabelle bezieht sich auf den Volumenstrom bei einem Betriebsdruck von 7 bar. Um den Volumenstrom bei einem anderen Betriebsdruck zu berechnen, nutzen Sie bitte folgende Korrekturkoeffizienten:

Betriebsdruck, bar	2	3	4	5	6	7	8	9	10	11	12	13	14	15	16
Korrekturkoeffizient	0,38	0,5	0,63	0,75	0,88	1	1,13	1,25	1,38	1,50	1,63	1,75	1,88	2,00	2,13

## 3.2 Abmessungen



Tab. 1 Abmessungen Filtergehäuse

Artikel	Modell	Schraubverbindung	Max. Luftdurchsatz (m <sup>3</sup> /min)	Abmessungen (mm)					Gewicht (kg)
				A	B	C	D	E	
14200001	AF-012	3/8"	1,2	88	20	187	80	35	0,86
14200002	AF-016	1/2"	1,6	88	20	256	80	35	0,96
14200003	AF-025	1/2"	2,5	106	25	278	100	35	1,46
14200004	AF-036	3/4"	3,6	106	25	278	100	65	1,46
14200005	AF-047	1"	4,7	125	32	252	120	65	2,26
14200006	AF-060	1"	6,0	125	32	352	140	65	2,56
14200007	AF-072	1.1/4"	7,2	125	32	352	140	65	2,56

14200008	AF-085	1.1/2"	8,5	125	32	450	160	65	3,36
14200009	AF-125	1.1/2"	12,5	160	32	450	160	65	3,36
14200010	AF-148	2"	14,8	160	43	605	180	65	5,26
14200011	AF-196	2"	19,6	160	43	605	180	65	5,26
14200012	AF-240	2.1/2"	24,0	160	43	685	200	65	6,46
14200013	AF-328	3"	32,8	240	60	800	300	65	13,06
14200014	AF-460	3"	46,0	240	60	800	300	65	13,06

### 3.3 Voraussetzungen an das Arbeitsumfeld



Schützen Sie die Filter vor Niederschlägen und anderen extremen Wetterverhältnissen.  
Sorgen Sie für ein staubfreies Arbeitsumfeld.

### 3.4 Anbindung an die Druckluftlinie

Überprüfen Sie ob die Filter, die Sie erworben haben, zu Ihrer vorhandenen Druckluftanlage passen.

Nutzen Sie einen Druckluftkessel passend zu der Motorleistung des Kompressors und abgestimmt auf alle Endverbraucher.

## 4. Wartung

Filterelemente sind Verschleißteile. Um hohe Systemeffizienz, optimale Leistung und beste Luftqualität aufrechtzuerhalten, sind bei der Wartung folgende Regeln zu befolgen:

- Wechseln Sie Filterelemente vom Typ P, R, M oder S mindestens einmal pro Jahr aus oder sobald der Druckabfall 350 mbar erreicht;
- Filterelemente vom Typ A sind alle 6 Monate auszuwechseln;
- Filterelemente vom Typ B können im Ultraschallbad oder durch Rückspülung gereinigt werden. Reinigungsintervalle hängen von der jeweiligen Anwendung ab. Wechseln Sie das Filterelement bei Bedarf aus;

- Der O-Ring des Gehäuses kann beim Wechseln des Filterelements beschädigt werden. Um Druckluftverlust und Funktionsstörungen zu vermeiden, wechseln Sie den Gehäuse-O-Ring bei Bedarf aus. Ersatzteile erhalten Sie beim Hersteller;
- Beschädigte Bauteile sind durch neue zu ersetzen. Bei deutlichen Schäden ist der gesamte Filter auszuwechseln;
- Der Filter hat unter normalen Betriebsbedingungen eine Lebensdauer von 10 Jahren. Nach 10 Jahren sind regelmäßige Kontrollen des Filters für den sicheren Betrieb dringendst erforderlich;
- Prüfen Sie die Anlage nach jeglichen Wartungsarbeiten auf Leckagen.

## **5. Lagerbedingungen**

Die Druckluftfilter sollten an einem trockenen, staubfreien Ort gelagert werden.

**© 2015 Comprag ®. Все права защищены.**

**Перепечатка текста и / или использование графики. допускается только с письменного разрешения Comprag®.**

**Производитель оставляет за собой право без уведомления потребителя вносить изменения в конструкцию изделий для улучшения их технологических и эксплуатационных параметров.**

**Вид изделий может незначительно отличаться от представленных на изображениях.**



	<b>Оглавление</b>	<b>33</b>
<b>1</b>	<b>Меры безопасности</b>	<b>34</b>
	1.1 Введение	34
	1.2 Общие меры безопасности	34
	1.3 Меры безопасности при эксплуатации	34
	1.4 Меры безопасности при техническом обслуживании и ремонте	35
<b>2</b>	<b>Устройство</b>	<b>35</b>
	2.1 Назначение	35
	2.2 Технические данные и внешний вид	35
	2.3 Комплект поставки	37
	2.4 Основные компоненты	37
	2.5 Спецификация фильтрующих элементов	37
<b>3</b>	<b>Установка</b>	<b>39</b>
	3.1 Установка фильтрующего элемента	39
	3.2 Установка фильтра	40
<b>4</b>	<b>Эксплуатация</b>	<b>40</b>
	3.1 Перед началом работы и ежедневно	40
<b>5</b>	<b>Техническое обслуживание</b>	<b>42</b>
<b>6</b>	<b>Хранение</b>	<b>42</b>

# 1. Меры безопасности

Перед использованием любого сепаратора циклонного магистрального сжатого воздуха серии AS, далее по тексту – оборудования, оператор должен прочесть и уяснить содержание данного документа.

К работе с оборудованием допускается только обученный персонал.

## 1.1 Введение

Данное руководство должно храниться вблизи от оборудования в доступном для обслуживающего персонала месте. К эксплуатации, техническому обслуживанию и ремонту оборудования Comrag допускается только обслуживающий персонал с соответствующей степенью профессиональной подготовки.

## 1.2 Общие меры безопасности

Поврежденные детали оборудования должны заменяться сразу же после выхода из строя.

Изношенные детали оборудования должны заменяться своевременно.

В случае перегрева внутренних деталей оборудования или в случае подозрений на перегрев оборудование должно быть немедленно выключено.

Поддерживайте рабочую зону оборудования в чистоте.

## 1.3 Меры безопасности при эксплуатации

Не превышайте диапазонов максимального рабочего давления или температуры.

Если доставка оборудования осуществлялась в холодный сезон, то после разгрузки в теплое помещение необходимо выдержать оборудование не менее 12 часов перед вскрытием упаковки. Это позволит избежать выпадения конденсата на внутренних деталях оборудования.

Для исключения попадания влаги в пневмосистему, подачу сжатого воздуха от компрессора необходимо начинать не ранее, чем через 10 минут после включения оборудования.

Запрещается использовать оборудование во взрывоопасной среде, в присутствии воспламеняемых материалов, токсичных паров.

Перед подсоединением или отсоединением рукава сжатого воздуха удостоверьтесь в отсутствии давления в рукаве перед отсоединением рукава от оборудования.

Перед началом работы необходимо проверить, что все соединения сжатого воздуха надежно закреплены и на них отсутствуют повреждения. Запрещается устанавливать дополнительные аксессуары, такие как масленка, влагоотделитель и др. непосредственно на входное и выходное отверстие сжатого воздуха оборудования.

Во время работы запрещается отсоединять воздушный рукав, если по нему в этот момент подается сжатый воздух.

Запрещается использовать изношенные, поврежденные или испорченные рукава сжатого воздуха.

Запрещается использовать рукава сжатого воздуха, неподходящие оборудованию по диаметру и рабочему давлению.

При возникновении чрезмерной вибрации, шума, запаха и другой аномальной ситуации выключите оборудование.

## **1.4 Меры безопасности при техническом обслуживании и ремонте**

Использование оборудования не по назначению, внесение конструктивных изменений, нарушение правил эксплуатации может привести к получению увечий или смерти.

Запрещается внесение конструктивных изменений в оборудование. Гарантия на модифицированное оборудование не действует;

Разрешается использовать только оригинальные запасные части и вспомогательные принадлежности;

Все работы по техническому обслуживанию должны производиться при выключенном оборудовании, с отсоединенными от оборудования рукавами сжатого воздуха, работы необходимо проводить в защитных очках;

После завершения технического обслуживания никогда не оставляйте инструменты, детали, ветошь, тряпки, одежду и т.п. на корпусе оборудования.

Запрещается для очистки оборудования использовать легковоспламеняющиеся растворители;

Запрещается проводить сварочные или слесарные работы вблизи оборудования.

После завершения технического обслуживания или ремонта удостоверьтесь, что рабочее давление, температура соответствуют номинальным значениям;

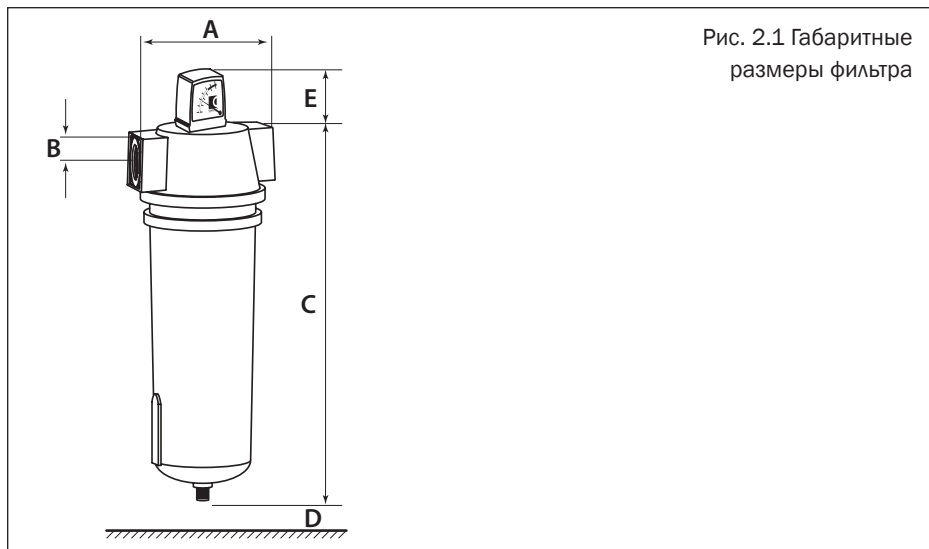
# **2. Устройство**

## **2.1 Назначение**

Фильтры серии AF предназначены для высокоэффективного удаления твердых частиц, воды, масляных паров, углеводородов, запахов и паров из систем сжатого воздуха.

## **2.2 Технические данные и внешний вид**

- Максимальное рабочее давление	16 бар
- Максимальная рабочая температура	65°C
- Минимальная рабочая температура	1,5°C



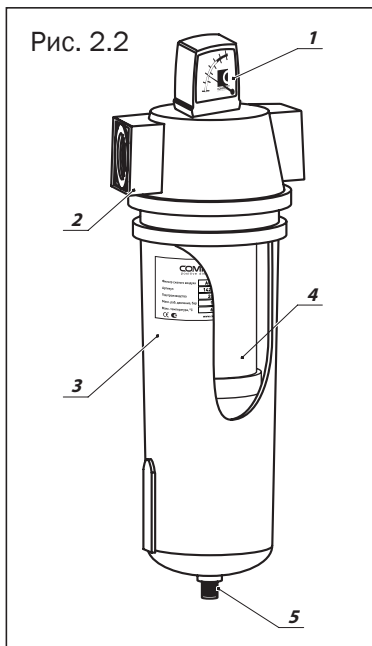
Код	Модель	Присоединительный размер	Производительность м <sup>3</sup> /мин	Габаритные размеры, мм					Масса, кг
				A	B	C	D	E	
14200001	AF-012	3/8"	1,2	88	20	187	80	35	0,86
14200002	AF-016	1/2"	1,6	88	20	256	80	35	0,96
14200003	AF-025	1/2"	2,5	106	25	278	100	35	1,46
14200004	AF-036	3/4"	3,6	106	25	278	100	65	1,46
14200005	AF-047	1"	4,7	125	32	252	120	65	2,26
14200006	AF-060	1"	6,0	125	32	352	140	65	2,56
14200007	AF-072	1.1/4"	7,2	125	32	352	140	65	2,56
14200008	AF-085	1.1/2"	8,5	125	32	450	160	65	3,36
14200009	AF-125	1.1/2"	12,5	160	32	450	160	65	3,36
14200010	AF-148	2"	14,8	160	43	605	180	65	5,26
14200011	AF-196	2"	19,6	160	43	605	180	65	5,26
14200012	AF-240	2.1/2"	24,0	160	43	685	200	65	6,46
14200013	AF-328	3"	32,8	240	60	800	300	65	13,06
14200014	AF-460	3"	46,0	240	60	800	300	65	13,06

## 2.3 Комплект поставки

Фильтр – 1 шт.  
Упаковка – 1 шт.

## 2.4 Основные компоненты

1. Крышка
2. Корпус
3. Циклонный элемент
4. Конденсатоотводчик



## 2.5 Спецификация фильтрующих элементов

	Средняя фильтрация	Основная фильтрация	Микро фильтрация	Удаление масел	Активиро- ванный уголь
Градации	P	R	M	S	A
Степень очистки, мкм	3	1	0,1	0,01	0,005
Максимальное остаточное содержание масел, мг/м <sup>3</sup>	-	-	<0,1	<0,01	<0,005
Максимальная рабочая температура, °C	65	65	65	65	45
Потеря давления-новый эле- мент, мбар	10	20	50	80	60
Потеря давления-смена эле- мента, мбар	350	350	350	350	6 months
Цвет	Желтый	Синий	Зеленый	Красный	Стальной

**Таблица артикулов на фильтрующие элементы**

Градация	Средняя фильтрация		Основная фильтрация		Микро-фильтрация		Удаление масел		Активированный уголь	
	Код	Модель	Код	Модель	Код	Модель	Код	Модель	Код	Модель
Для модели фильтра										
AF-012	14200001	EL-012P	14200001	EL-012R	14200001	EL-012M	14200001	EL-012S	14200001	EL-012A
AF-016	14200002	EL-016P	14200002	EL-016R	14200002	EL-016M	14200002	EL-016S	14200002	EL-016A
AF-025	14200003	EL-025P	14200003	EL-025R	14200003	EL-025M	14200003	EL-025S	14200003	EL-025A
AF-036	14200004	EL-036P	14200004	EL-036R	14200004	EL-036M	14200004	EL-036S	14200004	EL-036A
AF-047	14200005	EL-047P	14200005	EL-047R	14200005	EL-047M	14200005	EL-047S	14200005	EL-047A
AF-060	14200006	EL-060P	14200006	EL-060R	14200006	EL-060M	14200006	EL-060S	14200006	EL-060A
AF-072	14200007	EL-072P	14200007	EL-072R	14200007	EL-072M	14200007	EL-072S	14200007	EL-072A
AF-085	14200008	EL-085P	14200008	EL-085R	14200008	EL-085M	14200008	EL-085S	14200008	EL-085A
AF-125	14200009	EL-125P	14200009	EL-125R	14200009	EL-125M	14200009	EL-125S	14200009	EL-125A
AF-148	14200010	EL-148P	14200010	EL-148R	14200010	EL-148M	14200010	EL-148S	14200010	EL-148A
AF-196	14200011	EL-196P	14200011	EL-196R	14200011	EL-196M	14200011	EL-196S	14200011	EL-196A
AF-240	14200012	EL-240P	14200012	EL-240R	14200012	EL-240M	14200012	EL-240S	14200012	EL-240A
AF-328	14200013	EL-328P	14200013	EL-328R	14200013	EL-328M	14200013	EL-328S	14200013	EL-328A
AF-460	14200014	EL-460P	14200014	EL-460R	14200014	EL-460M	14200014	EL-460S	14200014	EL-460A

Фильтрующий элемент в комплект поставки фильтра не входит. Покупается отдельно.

## Коэффициент корректировки производительности

Указанная в таблице производительность фильтров рассчитана исходя из 7 бар рабочего давления. Для расчета производительности фильтра при другом рабочем давлении необходимо применять следующие коэффициенты:

Рабочее давление, бар	2	3	4	5	6	7	8	9	10	11	12	13	14	15	16
Коэф-нт	0,38	0,50	0,63	0,75	0,88	1,00	1,13	1,25	1,38	1,50	1,63	1,75	1,88	2,00	2,13



### ВНИМАНИЕ!

Фильтрующие элементы градации А не должны эксплуатироваться в насыщенной масляными парами среде. Фильтры градации А не удаляют различные газы, в частности угарный и углекислые газы.

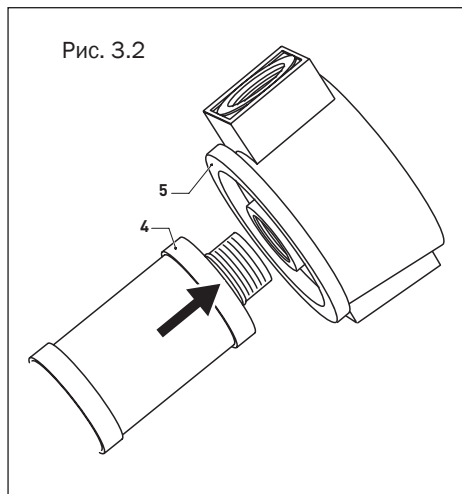
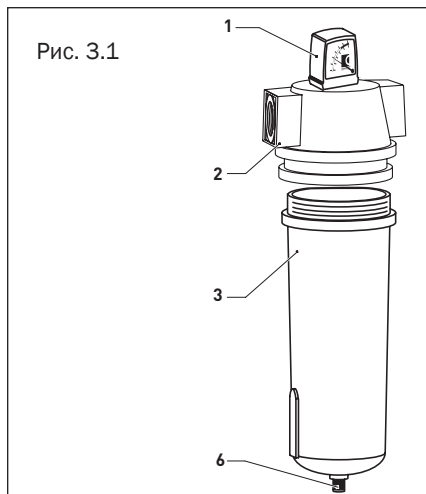
## 3. Установка

### 3.1 Установка фильтрующего элемента

Чтобы установить фильтрующий элемент в фильтр, необходимо выполнить следующие действия:

1. Откупорить крышку (2) от корпуса фильтра (3) рукой, удерживая корпус и вращая крышку против часовой стрелки.
2. Вкрутить фильтрующий элемент (4) резьбовой частью в резьбовую часть крышки фильтра рукой, вращая элемент по часовой стрелке;
3. Установить крышку фильтра с фильтрующим элементом в исходное положение, и завинтить ее рукой по часовой стрелке до упора.

Замена фильтрующего элемента производится аналогично установке, с предварительным удалением использованного фильтрующего элемента.



## 3.2 Установка фильтра

1. Установите фильтрующий элемент в фильтр, если этого не было сделано ранее (см. п. 3.1);
2. Отключите подачу сжатого воздуха на воздушной магистрали ;
3. Установите фильтр в воздушную магистраль, соблюдая следующие условия;
  - а. Диаметр и тип резьбы фитингов соответствуют диаметру и типу резьбы на корпусе фильтра;
  - б. При установке фитингов на фильтр используется не содержащий силикона клей;
  - в. Направление потока сжатого воздуха в магистрали соответствует стрелке на крышке фильтра;
  - г. Фильтр устанавливается строго вертикально;
  - д. Расстояние от пола, либо от других элементов снизу фильтра составляет значение, не меньше, чем D (см. п. 2.2)
4. Включите подачу сжатого воздуха и проверьте систему на герметичность.

## 4. Эксплуатация

### 4.1 Перед началом работы и ежедневно

1. Убедитесь в том, что к входному и выходному отверстию сжатого воздуха фильтра подключены рукава сжатого воздуха.



2. Проверьте падение давления по дифманометру фильтра.

Манометр показывает перепад давлений между давлениями на вход и выходе. Когда фильтр-элемент загрязнен, давление на входе выше, чем давление на выходе.

Для моделей фильтров AF-012 — AF-025:

Для моделей фильтров AF-036 — AF-460:

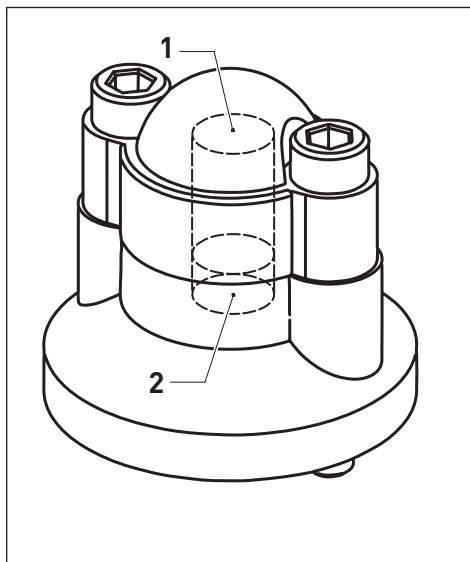


Рис. 4.1 Внешний вид дифманометра для моделей AF-012 — AF-025

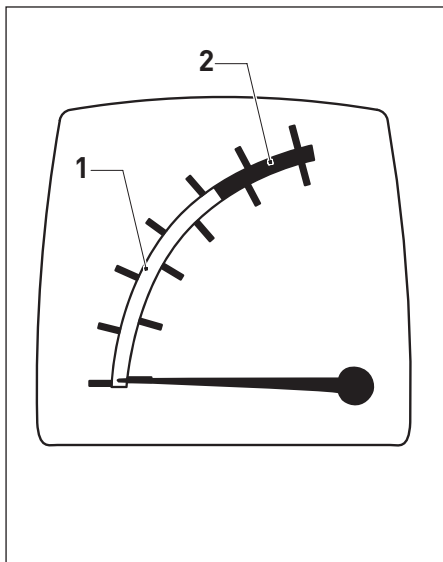


Рис. 4.2 Внешний вид шкалы дифманометра для моделей AF-036 — AF-460

Если красная зона (7) у манометра становится больше, чем зеленая (6), это означает, что фильтр-элемент загрязнен и подлежит замене.

Если стрелка манометра переходит из желтой (8) в синюю зону (9), фильтр-элемент загрязнен и подлежит замене.

## 5. Техническое обслуживание

Фильтрационные элементы подвержены износу. Чтобы поддерживать эффективность системы, оптимальную производительность и лучшее качество воздуха, необходимо следовать следующим правилам:

1. Заменяйте фильтр-элементы класса P, R, M, и S по крайней мере раз в год, или если сброс давления достигнет 350 мбар.;
2. Заменяйте элементы фильтров класса А каждые 6 месяцев;
3. Проводите проверку на утечки по завершении работ по обслуживанию.

## 6. Хранение

Хранение конденсатоотводчика допускается при температуре от +5° до +40°С при относительной влажности воздуха не более 85%.



